

Euro-VAC



Euro-VAC Sounder VAD (EVAC-SVADW / EVAC-SVADW)

The Euro-VAC Sounder VAD is a low profile EN54:3/23 32 tone sounder with bright VAD (wall and ceiling variants) incorporating many European and internationally recognised tones, high and low frequency tones as well as industry-standard frequency patterns.

Using broad frequency transducer-based technology the Pro sounder VAD boasts leading acoustics, low power consumption and a modern, aesthetically pleasing design.

Available in white flash with wall or ceiling mounting options.

TECHNICAL DATA

Operating Voltage	18-30V dc (EN54:3/23 @ 18-28Vdc)
Current Consumption (Sounder)	See information table on Page 2
Current Consumption (VAD)	35mA (1Hz)/26mA (0.5Hz)
Sound Output (dB(A) typical at 1m)	See information table on Page 2
Tones Available	See information table on Page 2
VAD Rating (@1 Hz)	Wall = Red - W-2.4-6/ White = W-2.4-8.5 Ceiling = Red - C-3-8/ White = C-3-12
Weight	182g (Flush)/ 209g (Shallow)
Housing Material	Fire rated ABS
Operating Temperature	-10°C to +50°C
Body Colour	White/Grey
Lens Colour	TrueRedTM/White
Environmental Category	Type A (Indoor)
Volume Control	1. Max. 2. High (-6 dB(A)) 3. Medium (-12 dB(A)) 4. Low (-18 dB(A))
Order Codes	

KEY FEATURES

- 32 Tones
- EN54-3/23 tested and fully approved in accordance with CPR
- Flush and surface options
- Low current consumption
- Four selectable volume levels
- 1Hz/0.5Hz selectable via jumper switch
- Wall and Ceiling Mounted

ORDER CODES

EVAC-SVADW-W: White sounder VAD wall mounted
EVAC-SVADW-G: Grey sounder VAD wall mounted

EVAC-SVADC-W: White sounder VAD ceiling mounted
EVAC-SVADC-G: Grey sounder VAD ceiling mounted

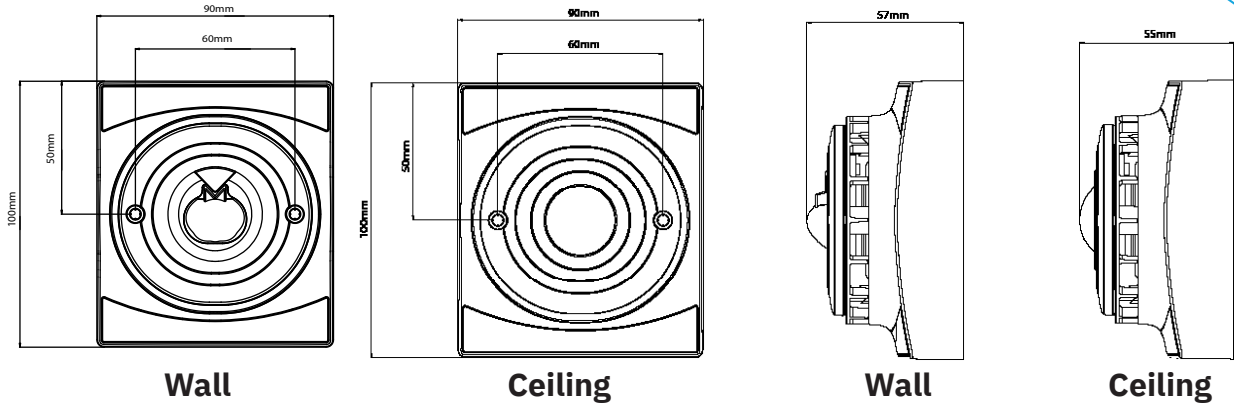
SOUND OUTPUT TABLE & TONE SPECIFICATION

Tone Number	DIL Switches					Tone	Alt Tone	Typical Current (mA)		Typical SPL (dB(A))	
	1	2	3	4	5			12 Vdc	28 Vdc	12 Vdc	28 Vdc
1*	0	0	0	0	0	Euro-VAC Pro Slow - - 800Hz to 970Hz Swept at 1Hz	9	8	17	99	105
2*	1	0	0	0	0	Euro-VAC Pro Medium - 800Hz to 970Hz, Swept at 3 Hz	9	9	18	99	105
3*	0	1	0	0	0	Euro-VAC Pro Fast - 800Hz to 970Hz, Swept at 5Hz	9	9	19	99	105
4*	1	1	0	0	0	DIN Tone (DK) - 1200Hz falling to 500Hz over 1 sec, silence 10mS	9	8	16	98	104
5*	0	0	1	0	0	French Fire Sounder - 554Hz for 100mS and 440Hz for 400mS	9	6	11	96	101
6*	1	0	1	0	0	Swedish Tone (Fire) - Intermittent 660Hz 150mS on, 150mS off	13	5	8	95	100
7*	0	1	1	0	0	Slow Whoop - 500Hz rising to 1200Hz over 3.5s, silence 0.5s (dutch)	9	6	11	99	105
8*	1	1	1	0	0	Italian Tone - 970Hz	1	9	19	95	105
9*	0	0	0	1	0	ISO8201 LF - Intermittent 970Hz 500mS on, 500mS off	10	6	11	95	105
10	1	0	0	1	0	ISO8201 HF - Intermittent 2900Hz 500mS on, 500mS off	9	7	14	99	107
11	0	1	0	1	0	US Temporal Tone LF - 950Hz for 0.5s on 0.5s off, for 3 phases, silence for 1.5s	9	5	8	93	101
12	1	1	0	1	0	US Temporal Tone HF - 2900Hz for 0.5s on, 0.5s off for 3 phases, silence for 1.5s	24	7	15	99	107
13	0	0	1	1	0	Swedish Tone (All Clear) - Continuous 660Hz	6	6	10	93	101
14	1	0	1	1	0	Aus (Fast Rise Sweep) - 3 x (500Hz - 1200Hz for 0.5s), 0.5s off	17	5	7	94	101
15	0	1	1	1	0	NZ (Slow Rise Sweep) - 500Hz - 1200Hz for 3.75s, 0.25s off	16	5	9	96	103
16	1	1	1	1	0	Australian Alert Signal - 420Hz repeating 0.625s on, 0.625s off	17	5	7	93	100
17	0	0	0	0	1	Australian Evacuation Signal - 500Hz to 2300Hz sweeping 3.75s on, 0.25s off	16	7	14	97	104
18	1	0	0	0	1	BS Fire Tone Alternating 800&970Hz @ 2Hz (250mS-250mS)	9	6	12	93	100
19	0	1	0	0	1	Euro-VAC Pro Continuous LF @ 900Hz	1	7	13	96	104
20	1	1	0	0	1	Pro Buzz LF - 800Hz to 950Hz swept at 120Hz	9	7	13	95	102
21	0	0	1	0	1	Pro buzz HF - 2400Hz to 2900Hz at 120Hz	24	10	23	101	108
22	1	0	1	0	1	Pro Fast Sweep HF - 2400Hz to 2900Hz at 9Hz	24	11	23	101	108
23	0	1	1	0	1	Pro Slow Sweep HF - 2400Hz to 2900Hz at 3Hz	24	11	23	101	108
24	1	1	1	0	1	Pro Continuous HF - Continuous at 2900Hz	23	12	26	99	107
25	0	0	0	1	1	Pro Fast Sweep HF (New) - 2450Hz to 3100Hz at 9Hz	24	11	24	100	108
26	1	0	0	1	1	Apollo Evacuation Tone - 567Hz for 0.5s, 850Hz for 0.5s	9	6	12	96	104
27	0	1	0	1	1	Alternating - (Hochiki & Fulleon) - 925Hz for 0.25s, 626Hz for 0.25s	9	7	13	96	103
28	1	1	0	1	1	C-Tec Evac tone (675Hz for 0.5s, 925Hz for 0.5s)	28	6	12	95	103
29	0	0	1	1	1	C-Tec Fast Warble (920Hz for 0.25s, 975Hz for 0.25s)	29	6	13	95	103
30	1	0	1	1	1	HiLo Warble 925Hz for 250mS, 628Hz for 250mS	13	7	13	96	103
31	0	1	1	1	1	Alternate LF - Alternating 800Hz/1000Hz at 1Hz	19	5	12	93	100
32	1	1	1	1	1	Pro sweep WF - 1700Hz to 2600Hz at 9Hz	19	23	47	104	111

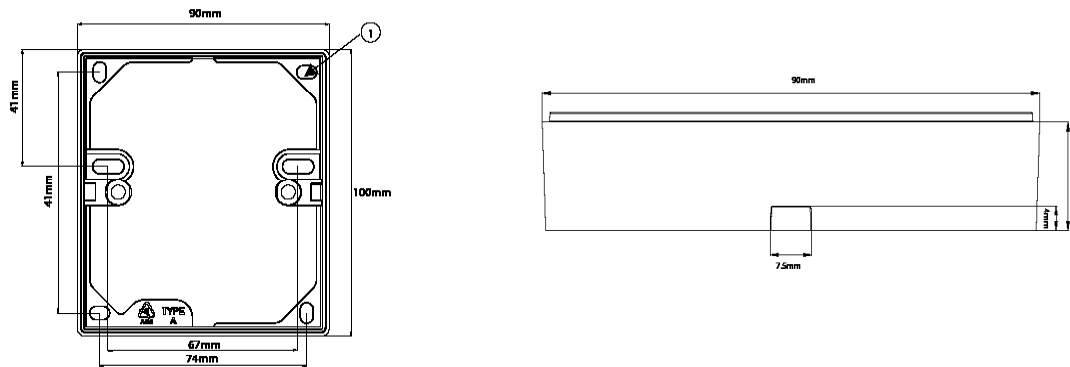
Currents apply to maximum volume setting. Tones and volume with * have been tested to EN54:3.

TECHNICAL DRAWINGS

Front Plate



Shallow



Surface

