



Euro-fi Wireless Wall Mounted Sounder (EUW-WSR-01)

The Wireless Wall Sounder combines the Wireless Wall Sounder Module with the Conventional Wall Sounder. The Wall Sounder is a EN 54-3 (Type B) compliant acoustic device, equipped with 3 levels of volume adjustment and 32 recognised tones which can be set locally at the sounder.

The wireless wall sounder, once properly connected to a wireless system on a compatible loop, is fully controlled by the panel and benefits from an extensive range of intelligent control, test and monitoring functionality. Adaptive radio signal processing algorithms ensure the highest levels of life safety and reliability.

TECHNICAL DATA

Operating frequency range	868 – 870 MHz
Max radiated power	14dBm (25mW)
Acoustic frequency range	400-2900Hz
Maximum acoustic output	100dB(a) ± 3
IP rating	X5
Batteries	2 x CR123A (3V & 1.2Ah)
Max humidity (non condensing)	85% RH
Operating temperature	-10°C to +55°C
Weight	350g
Dimensions	132mm x 126mm x 90mm

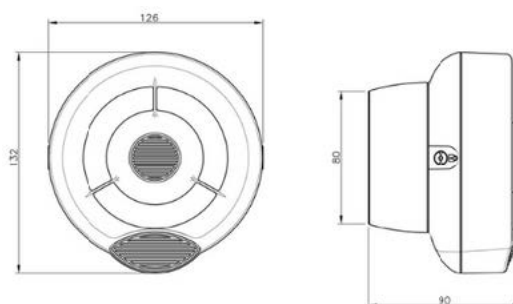
KEY FEATURES

- Bi-directional wireless communication
- 32 tones settings selectable via onboard dip switches
- High sound output capability
- On site adjustable volume settings
- Waterproof certified to IPX5
- 3 year expected battery life including weekly test
- 200m communication range (in open air)
- Utilises standard low-cost lithium battery technology
- Also available in white
- 3rd party approval to EN54-3 (type B)
- 5 year product warranty

APPROVALS

- BS EN54-3 (Type B): Fire Alarm Device, Sounders

TECHNICAL INFORMATION



RELATED PRODUCT

The Wall Sounder Wireless Module (EUW-SIM-01) is designed for use with the Euro-fi range of modular wall sounders and beacons.

