



Hardware Product Innovation of the Year



Sygno-fi Wireless Heat Detector (SYG-TA)

The SYG-TA Sygno-fi Heat Detector is the latest in wireless heat detector technology.

The detector is a fully intelligent device designed to give the best possible warning of a fire condition in locations where smoke detection technology is not suitable. The device is capable of being configured as either a high temperature or rate of rise device type. The well-proven adaptive radio signal processing algorithms ensure the highest levels of life safety and system reliability are achieved. An in-built magnet test allows easy activation to verify correct functionality and response.

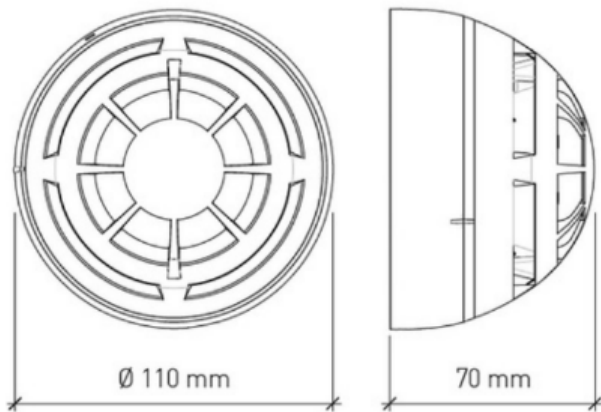
TECHNICAL DATA

Operating frequency range	868 – 870 MHz
Max radiated power	14dBm (25mW)
Class A1R (58°C max) or Class BS high temp (78°C)	
Dimensions	110mm x 70mm
Weight (without batteries)	155g
Batteries	2x CR123A
Operating Temperature	-10°C to +55°C
Max humidity (non condensing)	95% RH
IP Rating	40

KEY FEATURES

- Twin alarm LEDs for 360° visibility
- Programmable for rate of rise (A1R) or high temperature (BS)
- Bi-directional wireless communication
- Can be used with Sygno-fi addressable and conventional translators
- 22 pairs of field channels
- Dual channel redundancy
- Long communication range (≅ 1 km in open air)
- 10 year battery life
- Utilises standard low cost lithium battery technology
- Device identification tab
- Security screw to prevent tampering and unwanted removal
- Easy scan & link programming option
- 3rd party approved
- 5 year product warranty
- Tri-colour LED

TECHNICAL INFORMATION



APPROVALS

- BS EN54-5 Class P: Heat Detectors. Point Detectors
- BS EN54-25: Components using radio links

BASE COMPATIBILITY

This device is supplied with a standard base and is compatible with the following sounder bases:
SYG-BS | SYG-BSB-23W | SYG-BSB-23R

